

RECOMMENDED P.C.B. LAYOUT  
TOLERANCE  $\pm 0.05$  mm

NOTES:

1. MATERIAL:
  - 1.1 HOUSING: HALOGEN FREE PLASTIC, HIGH TEMP., UL94V-0; COLOR:BLACK.
  - 1.2 CONTACT: COPPER ALLOY
2. FINISH:
  - 2.1 CONTACT: GOLD FLASH PLATED ON CONTACT AND SOLDER TAIL AREA 50u" MIN. NICKEL UNDERPLATING OVERALL.
3. REFLOW SOLDER CAPABLE TO 260° C PER ACES SPEC.
4. SPEC. PLS. REFER TO PS-50976-XXXXX-XXX
5. PACKAGE PLS. REFER TO 53022-XXXXX-00-TRP-aces
6. PART NUMBER

53022-XXX X X-XXX

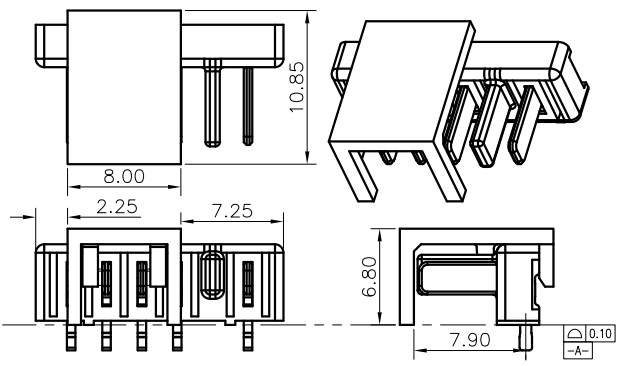
CKTS

PACKING

PLATING

- 7:TAPE&REELWITH COVER 1:GOLD FLASH PLATED ON CONTACT AND SOLDER TAIL AREA
- 8:TUBE WITH COVER

XXX	COLOR
001	BLACK



WITH COVER DRAWING

一般公差 TOLERANCES X $\pm 0.5$ XX $\pm 0.15$ .X $\pm 0.25$ .XXX $\pm 0.1$ ANGLES $\pm 2^\circ$		宏致電子股份有限公司 Aces Electronic Co.,Ltd.	
檢驗尺寸標示 SYMBOLS $\odot$ $\ominus$ INDICATE CLASSIFICATION DIMENSION $\odot$ MARK IS CRITICAL DIM. $\ominus$ MARK IS MAJOR DIM.	品名 (TITLE) 2.5mm PITCH BATTERY 5PIN T/H R/A MALE H=5.7mm 圖號 (DWG.NO) 53022-XXXXX-XXX	製圖 (DR) 12/09/12 SHM 審核 (CHKD) CARL 核准 (APPD) JASON	張數 (SHEET) 1 OF 1 單位 (UNITS) mm 比例 (SCALE) 4:1
表面處理 (FINISH)	比例 (SCALE)	單位 (UNITS)	張數 (SHEET)
	4:1	mm	1 OF 1
			SIZE A4
			REV 0